



LENOXCUBBYBENCH

Lenox Cubby Bench

- Tough, attractive, solid plastic never needs painting, resists dents and scratches
- Impervious to moisture — lockers will not rust or delaminate
- Made from 30% pre-consumer recycled HDPE plastic
- Durable, vandal resistant all-welded construction
- Wide range of sizes and colors
- 20-year warranty against rust, delamination or breakage under normal use*
- Lockers ship assembled
- US Patent Numbers 6,793,299 – 7,223,317
- Other Patents Pending

Construction - Standard Features

Bench Locker

Sides, dividers and box shall be cut from a sheet of $\frac{3}{8}$ " HDPE with homogeneous color and a matte finish texture and shall be welded to bench top to form a complete unit formed without metal fasteners or dovetail joints.

Bench Top

Constructed of 1" thick HDPE with homogeneous color and matte finish texture and welded to the box.

Length

36" to 72" in 1 foot increments.

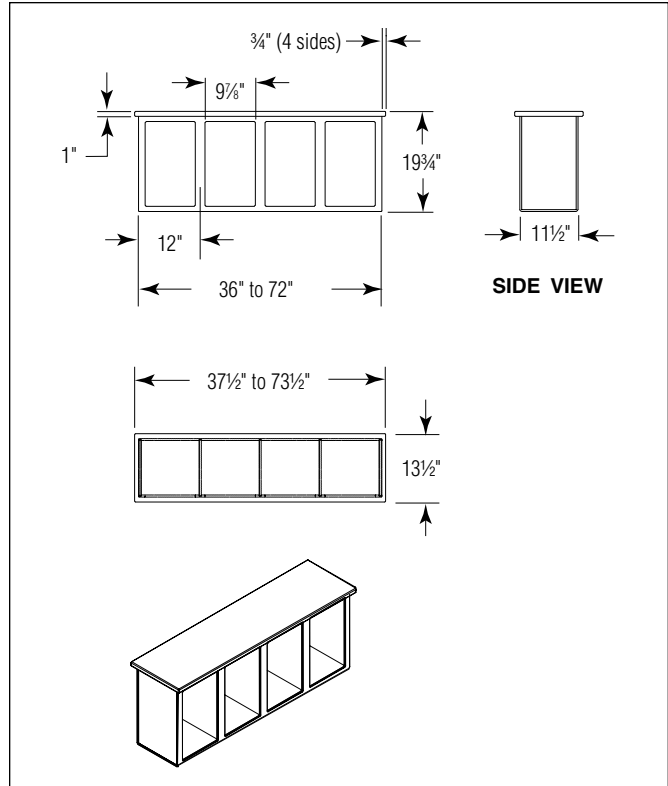
Depth

11½" depth.

Height

20" height.

* Normal use further defined as lockers installed in a climate-controlled environment, away from direct sunlight.



Product Compliance



Model	Description
LENOXCUBBYBENCH	Cubby Bench Lockers
Required Selections (Must select one from each category)	
Length (select one):	
36	36" Long Cubby Bench
48	48" Long Cubby Bench
60	60" Long Cubby Bench
72	72" Long Cubby Bench
Locker Color (select one):	
BEIGE	DOVE-STONE
BURGUNDY	GRAY
BUTTERMILK	MOSS
CHARCOAL-GRAY	STARRY-NIGHT
DEEP-BLUE	TOFFEE
DESERT-STONE	RECYCLED-BLACK 100% Pre-Consumer Recycled Black

Lockers are non-cancelable and non-returnable.