



LENOXGEAR Lenox® Gear Locker – Solid Plastic

- Tough, attractive, solid plastic never needs painting; resists dents and scratches
- Impervious to moisture – lockers will not rust or delaminate
- Durable, vandal-resistant, all-welded construction
- Wide range of sizes, colors and options
- 20-year warranty against rust, delamination or breakage under normal use*
- Foot locker has slow closing hinge - no slamming
- Lockers ship fully assembled
- US patent numbers: 6,685,285 – 6,792,661 – 6,793,299 – 7,029,078 – 7,223,317 – 7,278,695 – 7,510,249 – 7,699,412 – 7,789,471 – 8,113,602
- Other patents pending

Construction – Standard Features

Sizes

Standard Sizes: 24", 30", 36" Wide Nominal: 72" Tall
18", 21", 24" Deep

Upper Door and Cubby Frame

Constructed of 1/2" thick high-density polyethylene (HDPE) with homogeneous color and a matte textured finish. Dirt or graffiti are easily removed with standard industrial cleaners. Frame is welded to locker box to provide a secure, rigid assembly. Door has ventilation slots.

Sides, Tops, Bottoms, Dividers and Shelves

Constructed of 1/2" thick HDPE with homogeneous color and a matte finish texture. Sides and back of box are formed from a single sheet of HDPE with fused corners. Top, bottom, divider and shelf are welded to frame without metal fasteners or dovetail joints.

Latch Bar

Full-length latch bar is constructed of 1/2" thick 100% pre-consumer recycled black HDPE with a smooth finish. Runs entire length of door, providing a continuous security latching system. Latch lifts up to open and returns to closed position after door is closed. Latch bar is secured to locker door with stainless steel security TORX-head shoulder screws.

Door Hinge

Heavy-duty, full-length piano hinge is constructed of 18 gauge, type 304 stainless steel. Hinge wraps around edges of the door and the frame and is secured with stainless steel security TORX-head screws. Hinge is powder coated to match locker color† and is field replaceable.

Handle

Constructed of injection molded plastic. Ergonomically designed handle is ADA compliant – operates with less than 5 lbs. of force. Handle is secured through latch bar to door with stainless steel security TORX-head screws.

Hasp

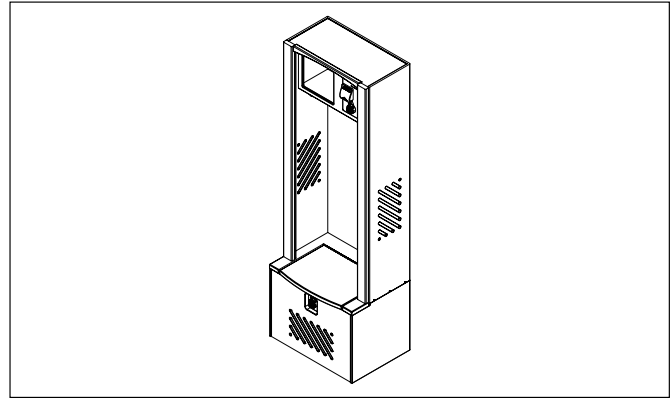
Constructed of 12 gauge stainless steel. Accepts standard padlocks with 5/8" diameter (nominal) shackle. (Long shackle padlocks should not be used.) Secured to door behind latch bar with stainless steel screws.

Foot Locker/Bench Seat

Built-in, secure foot locker/bench seat maximizes floor space. Constructed of 1/2" thick HDPE sides with 1" thick HDPE hinged bench top. Hinge, which is field replaceable, is 16 gauge, type 304 SS powder coated to match locker color. Seat closes with Soft-Down Stay, a high quality safety device for safe, smooth closure every time. Recessed hasp lock, for use with standard padlocks with 5/8" diameter (nominal) shackle, secures bench seat.

Number Plates

Constructed of white acrylic with black film coating. Laser etched with numer specified. Number plates are secured with grooved rivets into a recessed pocket cut into the door. Plates must be fastened to lockers on the job by installer.



Installation Trim

Constructed of 1" thick HDPE with homogenous color and a matte finish texture. Trim is shipped loose & mounted after lockers are installed. The trim will create sturdy & cleanly finished side walls.

Wall Hooks

Constructed of black powder-coated cast zinc. Four (4) hooks are secured to each locker.

Construction – Optional Features

Combination Padlock

Master Lock #1525 combination padlock fits into standard hasp. Double reinforced construction with stainless steel outer case and cold-rolled steel inner case adds strength and durability. Nickel-plated hardened steel shackle resists rust. Two (2) required per locker.

Logos

Custom logo is machined into back wall of locker. Logo artwork must be provided to Bradley in one of the following formats "DXF", "DWG", "IGES" or "SAT". Font and the size of the logo are also needed.

Additional Wall Hooks

Additional hooks (quantity of 1–3) are secured to the locker.

Coat Rod

Constructed of 1" diameter stainless steel. Rod is mounted with stainless steel flanges and stainless steel screws. Coat rods will be shipped loose and installed on the job after installation of the lockers.

Coat Hook

Double hook constructed of black polycarbonate. Hook hangs centered under upper locker. Secured with stainless steel screws.

Mesh Box Sides

Standard locker sides are machined with cross-hatch pattern to provide ventilation for locker contents.

Mirror

4" x 6" Acrylic Mirror with double-sided adhesive tape. Assembled at the job site for placement flexibility.

Gear Filler

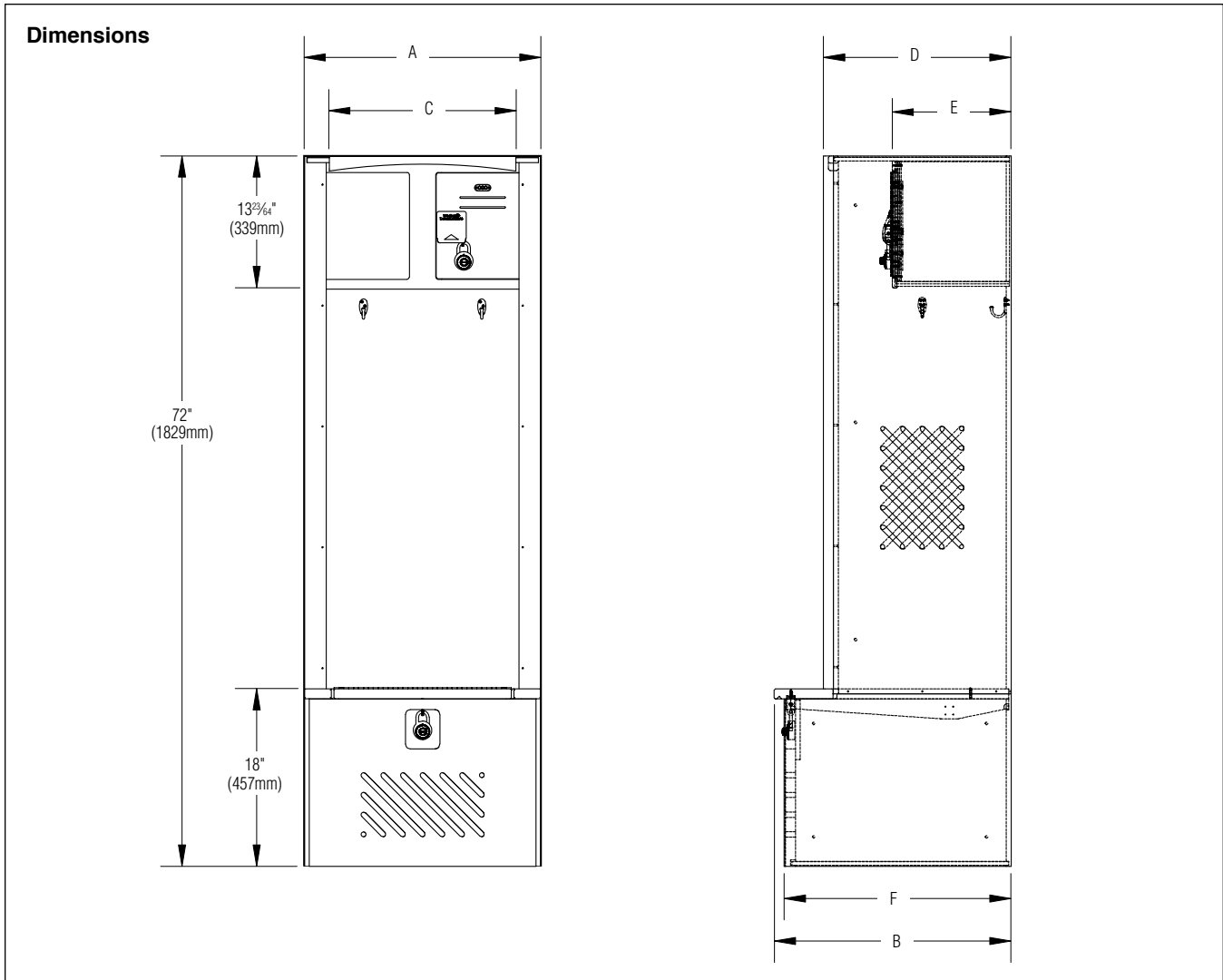
Fillers are used to fill gaps between gear lockers and a wall or another gear locker. It consists of two pieces: Piece A is an oversized square piece for the top that will be the width and depth of the locker, cut to size in the field. Piece B is a formed "L" piece that gets fitted up to each gear locker (or wall) in the corner.

* Normal use further defined as lockers installed in a climate-controlled environment, away from direct sunlight.

† Dove Stone locker will have white hinge and handle. Starry Night locker will have black hinge and handle.



LENOXGEAR Lenox® Gear Locker – Solid Plastic



SIZE	A	B	C	D	E	F
24"W x 18"D	24" (610mm)	18" (457mm)	19" (483mm)	13" (330mm)	9.03" (229mm)	17" (432mm)
24"W x 21"D	24" (610mm)	21" (533mm)	19" (483mm)	16" (406mm)	10.53" (267mm)	20" (508mm)
24"W x 24"D	24" (610mm)	24" (610mm)	19" (483mm)	19" (483mm)	12.03" (306mm)	23" (584mm)
30"W x 18"D	30" (762mm)	18" (457mm)	25" (635mm)	13" (330mm)	9.03" (229mm)	17" (432mm)
30"W x 21"D	30" (762mm)	21" (533mm)	25" (635mm)	16" (406mm)	10.53" (267mm)	20" (508mm)
30"W x 24"D	30" (762mm)	24" (610mm)	25" (635mm)	19" (483mm)	12.03" (306mm)	23" (584mm)
36"W x 18"D	36" (914mm)	18" (457mm)	31" (787mm)	13" (330mm)	9.03" (229mm)	17" (432mm)
36"W x 21"D	36" (914mm)	21" (533mm)	31" (787mm)	16" (406mm)	10.53" (267mm)	20" (508mm)
36"W x 24"D	36" (914mm)	24" (610mm)	31" (787mm)	19" (483mm)	12.03" (306mm)	23" (584mm)



LENOXGEAR

Lenox® Gear Locker – Solid Plastic

Model	Description
LENOXGEAR	Solid Plastic Gear Locker

Required Selections (Must Select One from Each Category)

Locker Width (Select One):	
24	24" Wide Gear Locker
30	30" Wide Gear Locker
36	36" Wide Gear Locker

Locker Depth (Select One):	
18	18" Deep Gear Locker
21	21" Deep Gear Locker
24	24" Deep Gear Locker

Locker Color (Select One):	
BEIGE	LINEN
BURGUNDY	MOSS
BUTTERMILK	STARRY-NIGHT†
CANYON-GRANITE	TOFFEE
CHARCOAL-GRAY	PC-BLACK 100% Post-Consumer Recycled Black**
DEEP-BLUE	PC-CHARCOALGRAY 100% Post-Consumer Recycled Charcoal Gray**
DESERT-STONE	PC-TOFFEE 100% Post-Consumer Recycled Toffee**
DOVE-STONE†	RECYCLED-BLACK 100% Pre-Consumer Black
GRAY	

Locker Sides (Select One):	
STD	Solid Locker Sides
MESH	Mesh Locker Sides

Model	Description
LENOXGEARTRIM	Installation Trim

Required Selections

Locker Type (Select One):	
SINGLE	Single Finish Trim
DOUBLE	Double Finish Trim

Locker Trim Color (Select One):	
BEIGE	LINEN
BURGUNDY	MOSS
BUTTERMILK	STARRY-NIGHT†
CANYON-GRANITE	TOFFEE
CHARCOAL-GRAY	PC-BLACK 100% Post-Consumer Recycled Black**
DEEP-BLUE	PC-CHARCOALGRAY 100% Post-Consumer Recycled Charcoal Gray**
DESERT-STONE	PC-TOFFEE 100% Post-Consumer Recycled Toffee**
DOVE-STONE†	RECYCLED-BLACK 100% Pre-Consumer Black
GRAY	

** 100% Post-Consumer HDPE may have some minor flaws and the color may be inconsistent.

† Dove Stone locker will have white hinge and handle. Starry Night locker will have black hinge and handle.

Lockers are non-cancelable and non-returnable.





LENOXGEAR

Lenox® Gear Locker – Solid Plastic

Optional Selections	
Locker Lock Type:	
STD-HASP	Standard Hasp Lock
PADLOCK	Combination Padlock
Locker Logos:	
CUSTOM	Custom Logo Description _____
NONE	No Logo
Wall Hooks:	
4	Single Wall Hook (4) Per Tier Standard
5	Single Wall Hook (5) Per Tier Specify Location(s) _____
6	Single Wall Hook (6) Per Tier Specify Location(s) _____
7	Single Wall Hook (7) Per Tier Specify Location(s) _____
Locker Coat Rod:	
COATROD	Optional Coat Rod
NONE	No Coat Rod
Locker Coat Hooks:	
COATHOOK	Double Coat Hook

Enter LENOXNUMBERS as a separate line item.

Model	Description
LENOXNUMBERS	Locker Replacement Number Plates

Required Selections (Must select one from each category)	
Number Type (select one):	
NUMBERS	Etched Numbers/Letters
BLANK	No Etched Numbers/Letters
Number Sets (select one):	
1	Set Qty: _____ Number Qty: _____ Series: _____
2	Set Qty: _____ Number Qty: _____ Series: _____
3	Set Qty: _____ Number Qty: _____ Series: _____
4	Set Qty: _____ Number Qty: _____ Series: _____
5	Set Qty: _____ Number Qty: _____ Series: _____

Model	Description
LENOXGEARFILLER	Optional Filler

Optional Selections	
Locker Depth (Select One):	
18	18" Deep Gear Locker
21	21" Deep Gear Locker
24	24" Deep Gear Locker
Gear Top Depth (Select One):	
18	18" Deep Gear Filler Top
21	21" Deep Gear Filler Top
24	24" Deep Gear Filler Top
Gear Top Width* (Select One):	
18	18" Wide Gear Filler Top
21	21" Wide Gear Filler Top
24	24" Wide Gear Filler Top
Locker Filler Color (Select One):	
BEIGE	LINEN
BURGUNDY	MOSS
BUTTERMILK	STARRY-NIGHT†
CANYON-GRANITE	TOFFEE
CHARCOAL-GRAY	PC-BLACK 100% Post-Consumer Recycled Black**
DEEP-BLUE	PC-CHARCOALGRAY 100% Post-Consumer Recycled Charcoal Gray**
DESERT-STONE	PC-TOFFEE 100% Post-Consumer Recycled Toffee**
DOVE-STONE†	RECYCLED-BLACK 100% Pre-Consumer Black
GRAY	

* Width selection should match Depth selection.

** 100% Post-Consumer HDPE may have some minor flaws and the color may be inconsistent.

† Dove Stone locker will have white hinge and handle. Starry Night locker will have black hinge and handle.