



LENOXPEDESTAL Lenox Locker Pedestal Bench

- Tough, attractive, solid plastic never needs painting; resists dents and scratches
- Impervious to moisture — benches will not rust or delaminate
- Durable, vandal resistant construction
- Wide range of lengths and colors
- 20-year warranty against rust, delamination or breakage under normal use*

Construction - Standard Features

Bench Top

Constructed of 1½" thick High Density Polyethylene (HDPE) with homogeneous color and a matte finish texture.

Pedestal

17" Black anodized aluminum pedestal with welded aluminum flanges. Anchored to floor and bench top with hardware provided.

Length

24" to 96" in 1 foot increments (custom sizes available).

Width

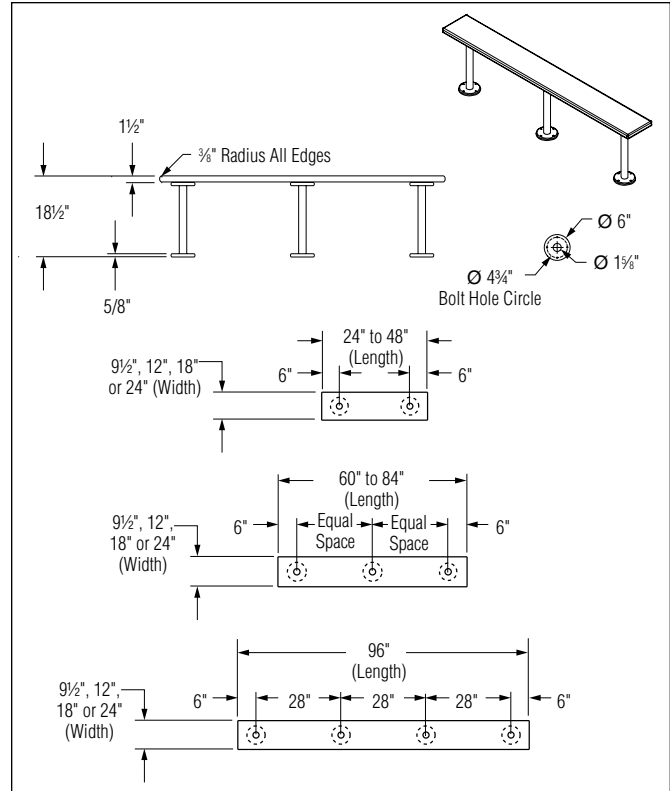
9½", 12", 18" or 24" depth (custom sizes available).

Height

18½" height (ADA compliant).

* Normal use further defined as lockers installed in a climate-controlled environment, away from direct sunlight.

Product Compliance



Model	Description
LENOXPEDESTAL	Pedestal Bench
Required Selections (Must select one from each category)	
Length (select one):	
24	24" Long Bench
36	36" Long Bench
48	48" Long Bench
60	60" Long Bench
72	72" Long Bench
84	84" Long Bench
96	96" Long Bench
CUSTOM	_____ " Long Bench (Min 24", Max 96", in 1" increments)
Width (select one):	
0095	9½" Wide Bench
0120	12" Wide Bench
0180	18" Wide Bench
0240	24" Wide Bench
CUSTOM	_____ " Wide Bench (Min 10", Max 24", in 1" increments)

Required Selections Cont... (Must select one from each category)	
Locker Color (select one):	
BEIGE	DOVE-STONE
BLACK	GRAY
BURGUNDY	MOSS
BUTTERMILK	STARRY-NIGHT
CHARCOAL-GRAY	TOFFEE
DEEP-BLUE	WHITE
DESERT-STONE	
Hardware Type (select one):	
STD	Standard Pedestals and Hardware
NONE	No Pedestals or Hardware Required

Lockers are non-cancelable and non-returnable.